



## Technical Product Guide

### MULTI UNIVERSAL FLOOR/CEILING

Models:

FLR09HP230V1AF

FLR12HP230V1AF

FLR18HP230V1AF

FLR24HP230V1AF



# Table of Contents

- Product Overview .....2-3
- Features and Benefits ..... 4-6
- Product Nomenclature ..... 6
- Product Performance Data .....7-8
- Dimensional Specifications..... 9
- Clearance Specifications.....10
- Installation of Mounting Hangers..... 11
- Limited Warranty Statement ..... 12-13

# PRODUCT OVERVIEW

## SUPERIOR DESIGNS PROVIDE EASY SOLUTIONS TO COMPLEX PROBLEMS

GREE Ductless Multi Zone systems provide quiet comfort and energy efficient heating and cooling in up to five different rooms - *without ductwork*. For most residential and light commercial applications, this is the ideal solution to balance comfort, efficiency and ease of installation. This Inverter-driven system offers Seasonal Energy Efficiency Ratings (SEER) up to 16. With individual room control and variable speed compressor operation, comfort is boosted throughout your home or office, while utility bills are held in check.

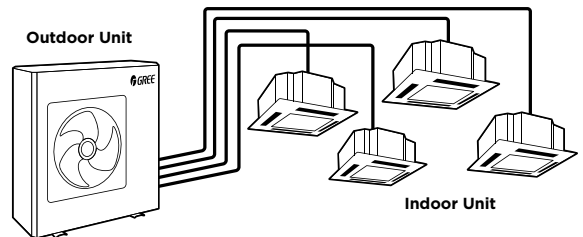


*Gree's exclusive G-10 Inverter technology powers the twin rotary compressor inside the Multi Zone outdoor compressor section. The G-10 Inverter constantly adjusts the compressor speed to maintain a comfortable room temperature. This saves energy, reduces outdoor noise and maintains a steady room temperature by eliminating the harsh starts and stops of conventional systems.*

When laying out a new project, you'll appreciate the flexibility of Gree's Multi Zone Systems. A single outdoor unit can simultaneously power up to five indoor units while eliminating expensive ductwork. Without those ducts, your installation is simpler, faster and more cost-effective. And the flexibility doesn't stop there, as you can also mix and match your choice of Wall Mount, Ceiling Cassette, Concealed Duct, Universal Floor/Ceiling and Mini Floor Console indoor units to create a unique heating and cooling system to perfectly fit any project.

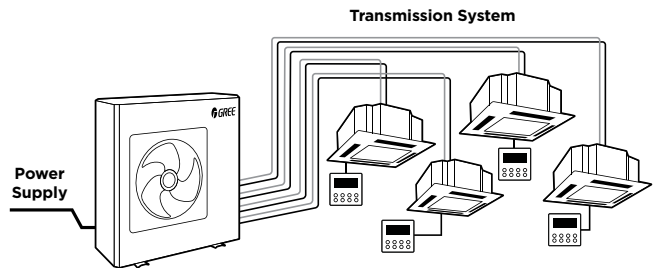
### No pipe sweating

No sweating is needed for the pipe connection between the indoor and outdoor units. All piping connections are flared to simplify and ease the piping installation.



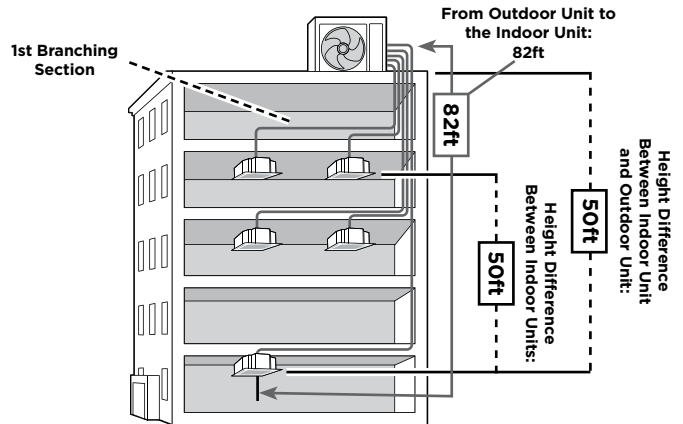
### Simple Wiring

No special or hard-to-find communication wire is needed between the indoor and outdoor units. The system uses common 14-4 AWG stranded copper THHN 600V wire. The system's communication is ready as soon as the electrical wiring between the indoor and outdoor units is complete.



### High Lift Design

Gree's High Lift design allows for extended piping length, up to 262 feet total, as well as 50 feet of vertical lift from the condensing units. This allows for greater flexibility in the layout of the system.



**Allows up to 262 feet of pipe length**

### Energy Saving

Multi Zone systems allow each room to be individually controlled. Only those rooms requiring air conditioning (or heating) are cooled (or heated), and all of it is accomplished without ductwork. In addition, Gree's G-10 inverter technology reduces energy waste, maximizes efficiency and achieves up to 16 SEER.

# PRODUCT OVERVIEW

## Self-Diagnostics System

Each indoor and outdoor unit continuously runs a series of multi-point diagnostic tests on the system, to automatically scan for unacceptable operating conditions or malfunctions. If such conditions occur, the system takes corrective action or stops. The fault code will be shown on the indoor, outdoor and wired controller displays. Problems and system status are displayed with comprehensive diagnostic codes to simplify system troubleshooting and shorten repair times.

## Flexible Design

Gree's Multi Zone systems have many advantages for both the property owner and the installer. Up to five indoor units, powered by a single outdoor unit, results in flexible zoning solutions for almost any application. Various styles of indoor units may be mixed and matched in any combination to create a unique, multiple zone heating and cooling system. Choose from Wall Mount, Ceiling Cassette, Slim Duct, Universal Floor/Ceiling and Mini Floor Console indoor units. All are lightweight and compact enough to be installed on the wall or in any ceiling space.

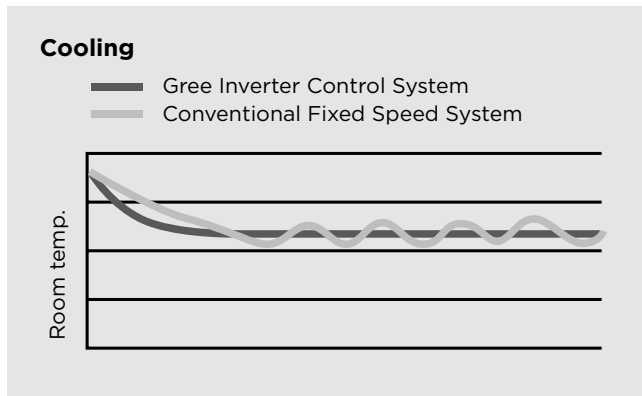
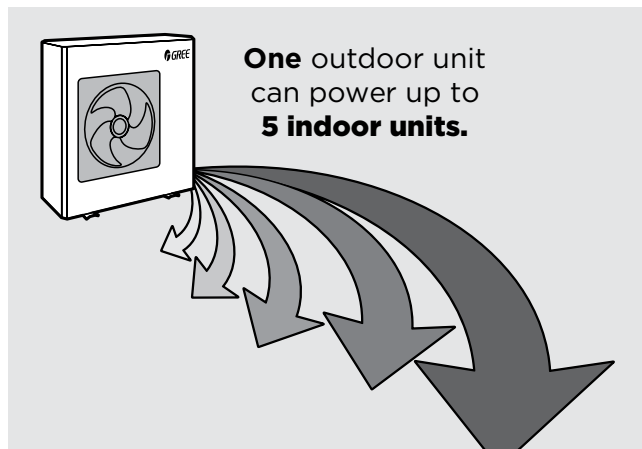
## Intelligent Control

Gree's Multi Zone components use state-of-the-art intelligent controls to generate the ultimate in room comfort. G-10 Inverter technology delivers the exact level of required capacity (from 10% to 100%) to maintain room temperature and humidity in the comfort range. The optimized PID controls maintain the room temperature within less than  $\pm 1.0^{\circ}\text{F}$  of the room setpoint temperature. The result is a virtually constant room temperature without the typical fluctuations that occur with a conventional fixed speed ON/OFF system.

## Ductless Saves Money

Realize energy savings by eliminating heat loss from inefficient and leaky ductwork. The average ducted air distribution system could reduce overall system efficiency by up to 30 percent. Eliminating ductwork allows you to downsize equipment while upsizing performance.

Diagnostic Code	Malfunction
E1	Compressor High Pressure Protection
E2	Indoor Coil Anti-Freeze Protection
E3	Low Pressure Protection
E4	High Discharge Temperature Protection
E5	Compressor High Temperature Protection
E6	Indoor/Outdoor Communication Failure
E7	Heating & Cooling Modes Conflict
E9	Condensate Water Too High
F4	Outdoor Coil Sensor Failure



# +Multi Universal Floor/Ceiling



*Our Multi+ Universal Floor/Ceiling indoor units are designed to be suspended from a ceiling or mounted low on a wall. The slender and lightweight design is perfect for restaurants or hallways where wall space is limited. Aesthetically pleasing to the eye, the Multi+ Universal Floor/Ceiling units are a great fit beneath windows, in public or light commercial applications. Each unit can be operated by an infrared remote controller or wired tether controller to allow maximum flexibility in any application.*

## FEATURES AND BENEFITS

---

### **Whisper Quiet**

Not only are the Gree systems energy efficient but they are quiet too. Wall mounted units operate with sound levels starting as low as 36 dB(A).

### **Modern Appearance**

Designed to be a comfortable fit in virtually any living space. This slim compact cabinet sits inconspicuously on the wall, and blends into most interior designs.

### **Unit Display**

Gree wall mounted units have a large easy to read display and indicator lights giving instant feedback on room setpoint, operating mode and much more. The display can also be turned off based on your personal preference.

### **Multi Fan Speeds**

The indoor fan can run at up to three different speeds (Low, Medium or High) for either COOLING or HEATING mode for maximum comfort and quiet operation.

### **Time Guard**

The Multi Zone system is equipped with many system safeties to provide safe, reliable operation and comfort. The Time Guard function prevents rapid cycling of the compressor. The system has a protective five-minute time delay to restart the compressor after it has turned off.

### **Power Failure Mode**

Power interruptions are no problem. User selections and system parameters are stored in non-volatile memory. These parameters are retained during a power failure. When power is returned, the system will automatically return to the last operating mode.

### **Intelligent Pre-Heating**

The Multi Zone system guards against the annoying COLD BLOW in heating mode. The system constantly monitors the discharge air temperature. It will delay the indoor fan until the indoor coil has warmed up to prevent blowing uncomfortable cool air into the room.

# FEATURES AND BENEFITS

---

## **Controller**

The unit comes with a factory supplied wired Tether Controller or Wireless Remote Controller. Note: the controllers are mutually exclusive. They cannot be used at the same time.

### **IR Wireless Remote Controller**

The Gree multi-functional infrared hand held wireless controller is sleek, ergonomically designed, easy to use and has a large backlit LCD display.

### **Tether Controller**

The Gree tether controller mounts to the wall up to 25 feet from the unit. It provides complete control over operation mode, desired temperature, fan speed, airflow direction and more.

## **Mode Button**

The units can be set to five different operating modes: HEAT, COOL, DRY, FAN ONLY and AUTO. *Note: AUTO MODE has fixed setpoints of 68° F heating and 78° F cooling, which are not changeable. The system will automatically select heating or cooling to maintain room temperature within this band.*

## **Timer Mode**

The unit can be programmed to turn ON or OFF after a specific amount time. The time period is adjustable between one half and 24 hours.

## **Swing Louver**

The unit has adjustable swing louvers which can be controlled from the wired tether or wireless controllers. Vertical swing louver allows five different vertical (up & down) air discharge directions including Continuous Sweep. Maximize comfort by adjusting the direction of airflow in the room by moving the louvers up or down.

## **Privacy Lock Mode**

Both wired tether and wireless controllers have a Privacy Lock to avert unauthorized access and stop tampering with system settings.

## **Sleep Mode**

The unit will automatically adjust room temperature during sleep time. This slight change in temperature will not affect your comfort level due to the natural effects that sleeping has on the body, but it will save on energy consumption and will lower electric bills.

## **Fahrenheit °F / Celsius °C**

The wired tether and wireless controllers can be set to display in either °F or °C.

## **Easy To Clean Air Filter**

A removable air filter easily slides in and out from the front of the indoor unit. The front panel does not need to be removed to access or change the filter. The filter is washable and permanent.

# +Multi Universal Floor/Ceiling

## FEATURES AND BENEFITS

---

### Self-Diagnosis

With an on-board computer using real-time diagnostics, the Gree Multi Zone system helps to prolong its own life. The automatic diagnosis feature continuously scans for unacceptable operating conditions or malfunctions. If such conditions occur, the system takes corrective action or stops. Fault codes are shown on the unit display to facilitate easy troubleshooting and repair.

### Agency Listings

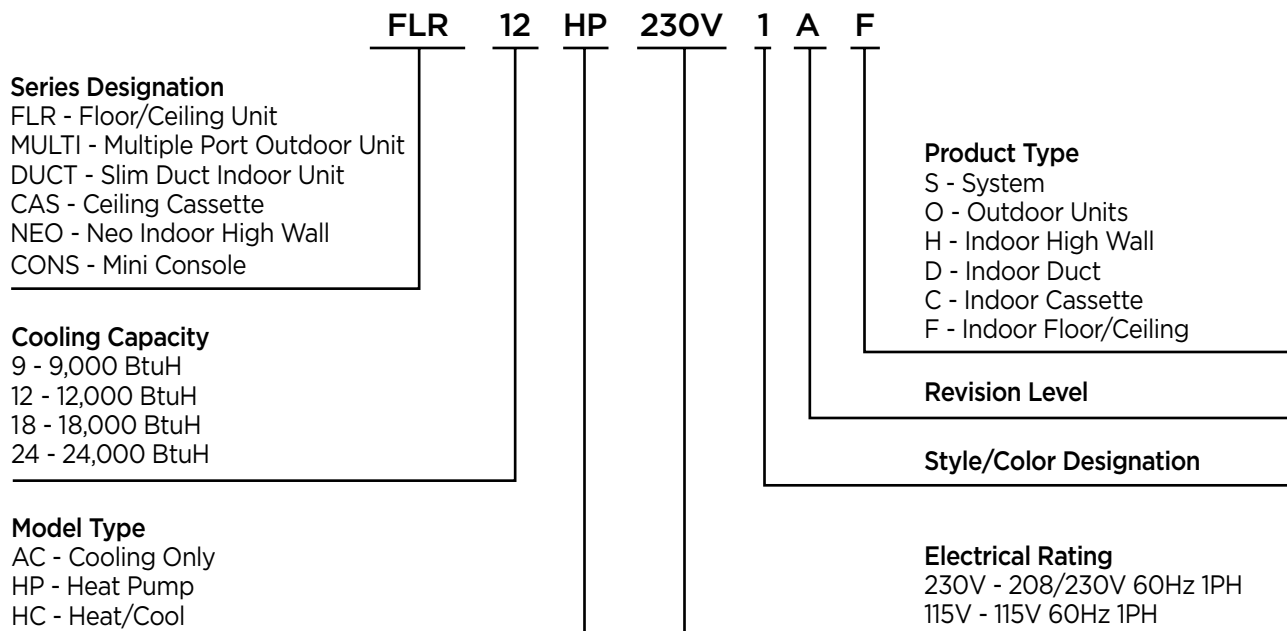
All systems are listed with AHRI (Air conditioning, Heating, and Refrigeration Institute) and are ETL certified per UL Standards.

### 7/5 Year Limited Warranty

Enjoy one of the most comprehensive warranties in the industry. Seven (7) years on compressor and Five (5) years on all parts.

## NOMENCLATURE

---



# PERFORMANCE SPECIFICATIONS & DATA

## Universal Floor/Ceiling

MODEL NUMBER	COOLING CAPACITY (BtuH)	HEATING CAPACITY (BtuH)	DEHUMIDIFICATION (Pts./hr.)
FLR09HP230V1AF	8,533	9,556	1.7
FLR12HP230V1AF	11,946	13,140	3.0
FLR18HP230V1AF	17,065	18,772	3.8
FLR24HP230V1AF	22,867	27,304	5.1

## Universal Floor/Ceiling

MODEL NUMBER	AIR FILTER TYPE	AIR FLOW	FAN TYPE
FLR09HP230V1AF	Polymeric Mesh	4-way	Centrifugal
FLR12HP230V1AF	Polymeric Mesh	4-way	Centrifugal
FLR18HP230V1AF	Polymeric Mesh	4-way	Centrifugal
FLR24HP230V1AF	Polymeric Mesh	4-way	Centrifugal

## Universal Floor/Ceiling

MODEL NUMBER	COOLING (CFM)			HEATING (CFM)		
	LOW FAN	MEDIUM FAN	HIGH FAN	LOW FAN	MEDIUM FAN	HIGH FAN
FLR09HP230V1AF	265	324	383	265	324	383
FLR12HP230V1AF	265	324	383	265	324	383
FLR18HP230V1AF	294	412	559	294	412	559
FLR24HP230V1AF	412	530	736	412	530	736



# +Multi Universal Floor/Ceiling

## SOUND DATA

### Universal Floor/Ceiling

MODEL NUMBER	LOW FAN		MEDIUM FAN		HIGH FAN	
	SOUND POWER	SOUND PRESSURE	SOUND POWER	SOUND PRESSURE	SOUND POWER	SOUND PRESSURE
FLR09HP230V1AF	46 dBA	36 dBA	48 dBA	38 dBA	50 dBA	40 dBA
FLR12HP230V1AF	46 dBA	36 dBA	48 dBA	38 dBA	50 dBA	40 dBA
FLR18HP230V1AF	50 dBA	40 dBA	52 dBA	42 dBA	55 dBA	45 dBA
FLR24HP230V1AF	54 dBA	44 dBA	56 dBA	46 dBA	58 dBA	48 dBA

**Note:** 1. Sound pressure ratings are estimated sound pressure measurements, 3 feet from unit.  
2. Sound power ratings are per AHRI 270 and AHRI 350

## ELECTRICAL DATA

### Universal Floor/Ceiling

MODEL NUMBER	RATED POWER SUPPLY (volt-phase-hz)	VOLTAGE RANGE (volts)	INDOOR FAN	
			RLA (amps)	POWER (watts)
FLR09HP230V1AF	208/230v-1ph-60hz	187-253	0.30	55
FLR12HP230V1AF	208/230v-1ph-60hz	187-253	0.30	55
FLR18HP230V1AF	208/230v-1ph-60hz	187-253	0.60	110
FLR24HP230V1AF	208/230v-1ph-60hz	187-253	0.60	145

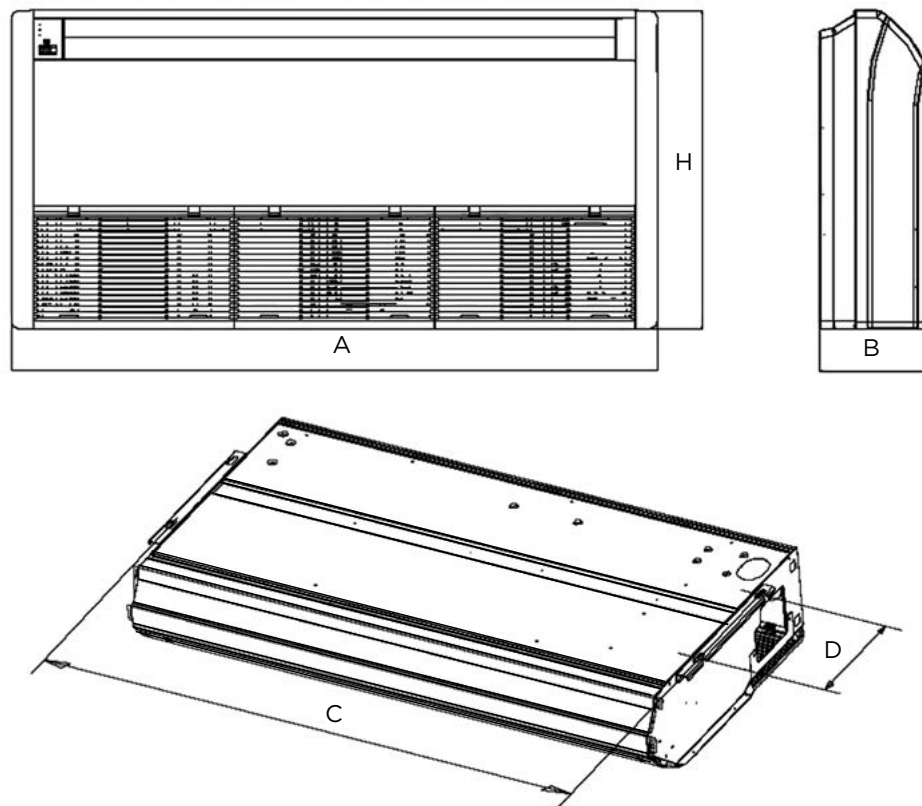
**Legend:** RLA - Rated Load Amps

## PRODUCT WEIGHT

### Universal Floor/Ceiling

MODEL NUMBER	PRODUCT WEIGHT	
	NET OPERATING	GROSS SHIPPING
FLR09HP230V1AF	88 lbs.	110 lbs.
FLR12HP230V1AF	88 lbs.	110 lbs.
FLR18HP230V1AF	88 lbs.	110 lbs.
FLR24HP230V1AF	100 lbs.	120 lbs.

# DIMENSIONAL SPECIFICATIONS



## Dimensions

MODEL NUMBER	A	B	C	D	H
FLR09HP230V1AF	48/1220	8.9/225	45.6/1158	11/280	27.6/700
FLR12HP230V1AF	48/1220	8.9/225	45.6/1158	11/280	27.6/700
FLR18HP230V1AF	48/1220	8.9/225	45.6/1158	11/280	27.6/700
FLR24HP230V1AF	48/1220	8.9/225	45.6/1158	11/280	27.6/700

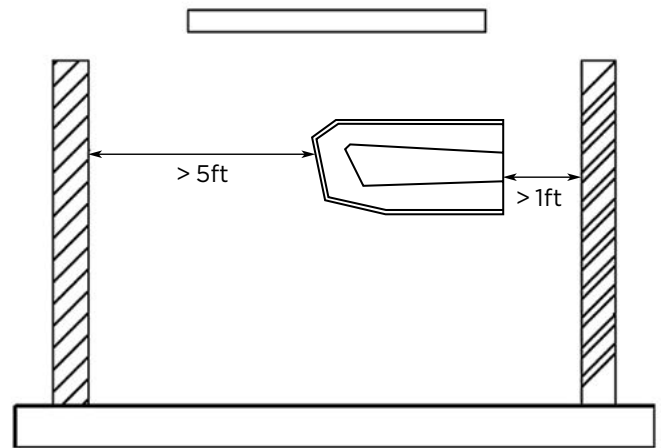
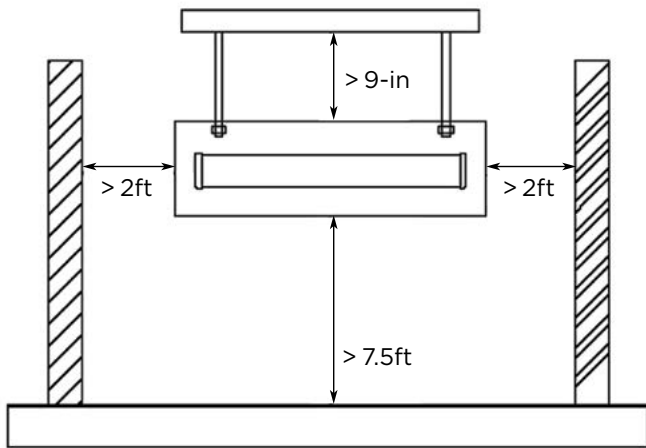
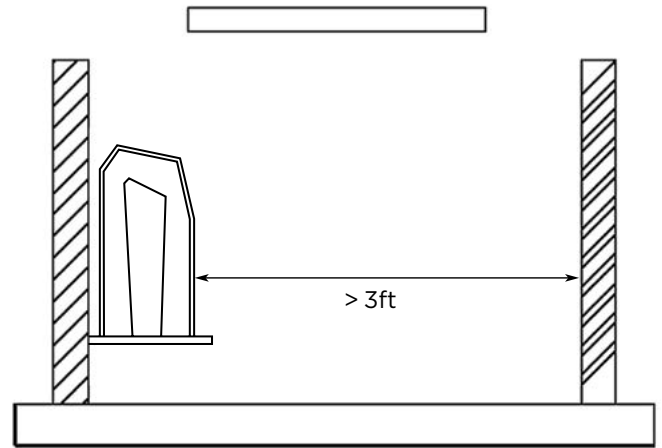
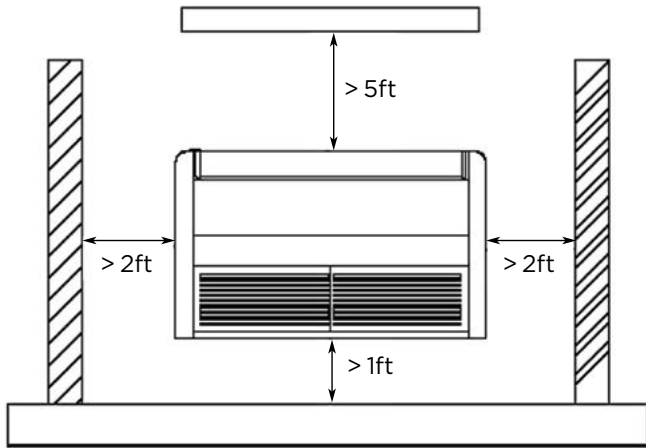
MODEL NUMBER	SUCTION/GAS LINE PORT SIZE	LIQUID LINE PORT SIZE	DRAIN CONNECTOR
FLR09HP230V1AF	3/8-in OD Flared	1/4-in OD Flared	0.67in/17mm OD
FLR12HP230V1AF	3/8-in OD Flared	1/4-in OD Flared	0.67in/17mm OD
FLR18HP230V1AF	1/2-in OD Flared	1/4-in OD Flared	0.67in/17mm OD
FLR24HP230V1AF	3/8-in OD Flared	3/8-in OD Flared	0.67in/17mm OD

**Note:** Size refrigerant lines based on evaporator port sizes.

# +Multi Universal Floor/Ceiling

## MINIMUM INDOOR CLEARANCE SPECIFICATIONS

The unit installation must meet or exceed the following minimum clearances for proper operation.

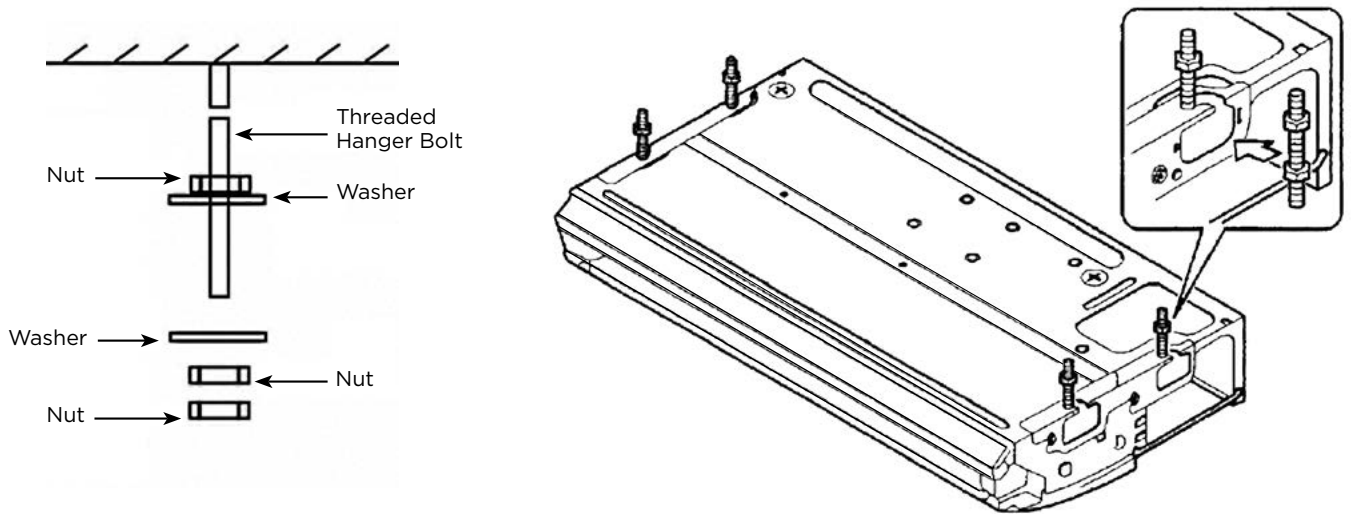


# INSTALLATION OF MOUNTING HANGER

---

Depending on the type of ceiling, threaded hanger bolts (field supplied) are recommended for securing Floor/Ceiling unit to the ceiling or support studs.

Proper mounting hardware is critical which includes upper nuts, lower flat washers (with insulation), top flat washers (without insulation), top nuts and locking nuts (double) on the threaded hanger bolts as shown in diagram below.



# Limited Warranty Statement



## DUCTLESS HEAT PUMP MULTI-SPLIT SYSTEMS

---

Effective on new GREE Ductless purchases on or after March 1, 2013

**FLR09HP230V1AF**

**FLR12HP230V1AF**

**FLR18HP230V1AF**

**FLR24HP230V1AF**

GREE distributor (hereinafter "Company") warrants this product against failure due to defect in materials or workmanship under normal use and maintenance as follows. All warranty periods begin on the date of original installation. If the date cannot be verified, the warranty period begins one hundred twenty (120) days from date of manufacture. If a part fails due to defect during the applicable warranty period Company will provide a new or remanufactured part, at Company's option, to replace the failed defective part at no charge for the part. This limited warranty is subject to all provisions, conditions, limitations and exclusions listed below.

- A warranty period of Seven (7) years on compressor to the original registered end user.
- A warranty period of Five (5) years on all parts to the original registered end user.
- A warranty period of One (1) year on the remote control provided with the original unit.
- Limited warranty applies only to systems that are properly installed by a state certified or licensed HVAC contractor, under applicable local and state law in accordance with all applicable building codes and permits; GREE installation and operation instructions and good trade practices.
- Warranty applies only to products remaining in their original installation location.
- Defective parts must be returned to the distributor through a registered servicing dealer for credit.

# LIMITATIONS OF WARRANTIES

---

All implied warranties and/or conditions (including implied warranties or conditions of merchantability and fitness for a particular use or purpose) are limited to the duration of this limited warranty, some states or provinces do not allow limitations on how long an implied warranty or condition lasts, so the above may not apply to you. The express warranties made in this warranty are exclusive and may not be altered, enlarged, or changed by any distributor, dealer, or other person, whatsoever.

## **THIS WARRANTY DOES NOT COVER:**

1. Labor or other costs incurred for diagnosing, repairing, removing, installing, shipping, servicing or handling of either defective parts, or replacement parts, or new units.
2. Product cleaning required prior to warranty service and repair.
3. Normal maintenance as outlined in the installation and servicing instructions or Owner's Manual, including filter cleaning and/or replacement and lubrication.
4. Failure, damage or repairs due to faulty installation, misapplication, abuse, improper servicing, unauthorized alteration or improper operation.
5. Failure to start due to voltage conditions, blown fuses, open circuit breakers, or damages due to the inadequacy or interruption of electrical service.
6. Failure or damage due to floods, winds, fires, lightning, accidents, corrosive environments (rust, etc.) or other conditions beyond the control of the Company.
7. Failure or damage of coils or piping due to corrosion on installations within one (1) mile of sea coast or corrosive body.
8. Parts not supplied or designated by Company, or damages resulting from their use.
9. Products installed outside continental USA and Canada.
10. Electricity or fuel costs, or increases in electricity or fuel costs for any reason whatsoever, including additional or unusual use of supplemental electric heat.
11. Any cost to replace, refill or dispose of refrigerant, including the cost of refrigerant.
12. Shipping damage or damage as a result of transporting the unit.
13. Accessories such as condensate pumps, line sets and so forth are not covered.
14. Any special, indirect or consequential property or commercial damage of any nature whatsoever. Some states or provinces do not allow the exclusion of incidental or consequential damages, so the above limitation may not apply to you.

## **FOR WARRANTY SERVICE OR REPAIR:**

Contact your installing contractor. You may find the installer's name on the equipment or in your Owner's packet.

This warranty gives you specific legal rights, and you may also have other rights which vary from state to state or province to province.

WSO021513-DLSWARR-MULTI - Rev. 10-15-14





*Specifications in this booklet are subject to change without notice.  
Manufacturer reserves the right to discontinue or modify specifications or  
designs without notice or without incurring obligations. All rights reserved.*

Cat# +MULTI-FC-1TPG Version: Original  
© 2014 Gree Electric Appliance, Inc.